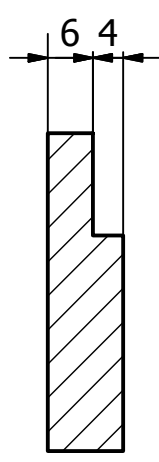
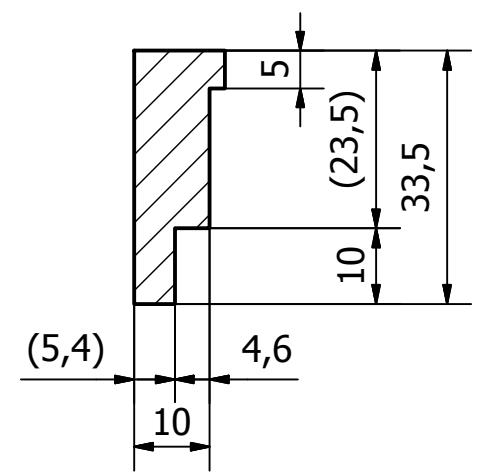
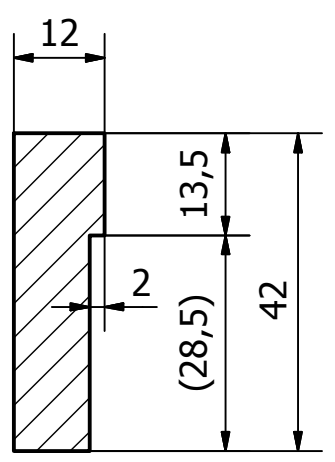


A-A (1 : 1)

B-B (1 : 1)

C-C (1 : 1)



	Scale: 1:2	Sheet Size: A3	Sheet Number: 1 / 1	Designer: MalekCédric	Date: 25.11.2015
All dimensions in [mm]		Material: Aluminum 6061		Checker:	Check date:
Unless otherwise stated the below applies				Project: Unidea - 3DPrinter	
General Tolerances acc. to: ISO 2768-mK		Thread Tolerances: ISO 965-1 6H/6g		Titel: Girder	
Surface roughness: ISO 1302: $\sqrt{Ra 3.2}$		Break corners: -0.3 Internal Radii: +0.5		Part Number: INT-435-25-BPX	

