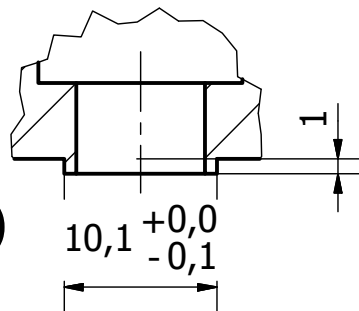
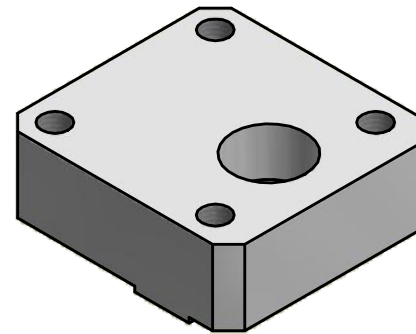
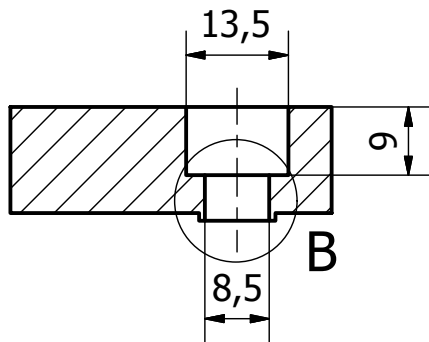
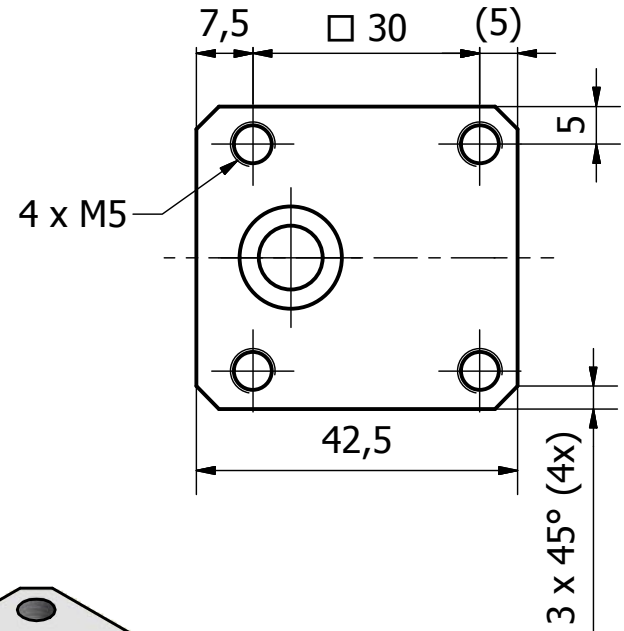
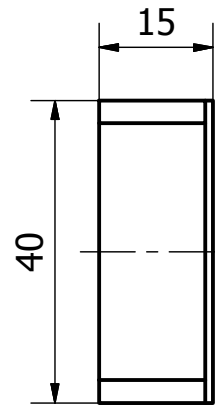


A-A (1 : 1)



B (2 : 1)

		Scale: 1:1	Sheet Size: A4	Sheet Number: 1 / 1	Designer: MalekCédric	Date: 26.10.2015
All dimensions in [mm]		Material: Aluminum 6061		Checker:		Check date:
Unless otherwise stated the below applies					Project: 3DPrinter	
General Tolerances acc. to: ISO 2768-mK		Thread Tolerances: ISO 965-1 6H/6g		Titel: Plate for Shaft-Support		
Surface roughness: ISO 1302: $\sqrt{Ra\ 3.2}$		Break corners: -0.3 Internal Radii: +0.5		Part Number: INT-40-15-PSS		